

---

## **INSTALLATION INSTRUCTIONS**

### **Parts Included**

- 1 Valve Body • 2 Large Locknuts • 2 Screws (for handles) • 2 Handles •

### **Tools Needed**

- Adjustable Wrench • Slip Joint Pliers • Pipe Putty or Teflon Pipe Tape •

**NOTE: Handles are identified HOT and COLD.  
The hot handle must be to the left and cold to the right.**



1. Align the valve assembly with the holes in the tub.
2. Apply teflon tape to both ends of the hot and cold supply nipples. On the outside of the tub, thread the large locknuts onto the other ends of the nipples and secure the unit to the tub. Tighten with a wrench or pliers.
3. Remove screws from valve stems. Place hot and cold handles onto stems. Then replace screws and secure.
4. Connect the water supply nipples to the water supply tubes. For wall mounting of the diverter to a house water supply line, see your local plumber.

**NOTE: Please seek professional help if you have copper plumbing in your home.**

### **Cleaning Instructions**

Wipe this whole set off with warm water and a soft cloth. DO NOT use soaps, cleansers, or brass cleaners as they will disintegrate the protective lacquer coating and leave the brass exposed causing it to tarnish.

## **INSTALLATION INSTRUCTIONS**

### **Parts Included**

- 4 Cone Washers (A) • 2 Decorative Locknuts (B) • Left Supply Tube (C) •  
• Right Supply Tube (D) • 2 Escutcheons (E) • 2 Locknuts (F) •

### **Tools Needed**

- Adjustable Wrench • Set of Crescent Wrenches • Pliers • Teflon Tape (use as a sealant on all male threaded tubing) •

**This water supply tube kit includes the parts listed above ONLY. The faucet in your bathtub should be purchased previously and separate from this kit.**



### **To Assemble Tubes**

1. First be sure to shut off the the water supply. Remove old water supply tubing. Put a cone washer (A ), with the wide end of the washer inward, onto the upper end of the left supply tube (C).
2. Slide a decorative locknut (B) up to the top of the left supply tube (C) and put on a cone washer (A).
3. On the bottom of the left supply tube (C), slide one of the escutcheons (E) up the tube partway, then slide the locknut (F) up the end of the tube (C) directly under the escutcheon.
4. Put another cone washer (A) with the wide end of the washer upward onto the bottom end of the tube (C).
5. Repeat steps 1-4 using the right supply tube (D).

### **To Install Tubes**

1. Attach the bottom end of the left supply tube (C) to the water supply tubing in your floor by screwing the locknut (F) down tightly. Let the escutcheon (E) slide down to the floor.
2. Attach the upper end of the left supply tube (C) to the “cold side” faucet supply tube located on the rear of your tub by inserting the supply tube (C) into the faucet supply tube and tightly screw the decorative locknut (B) over the two for a tight fit.
3. Repeat steps 1-2 using the right supply tube (D) and connecting it to the “hot side” faucet supply tube.

**NOTE: Please seek professional help if you have copper plumbing in your home.**

### **Cleaning Instructions**

Wipe this whole set off with warm water and a soft cloth. DO NOT use soaps, cleansers, or brass cleaners as they will disintegrate the protective lacquer coating and leave the brass exposed causing it to tarnish.

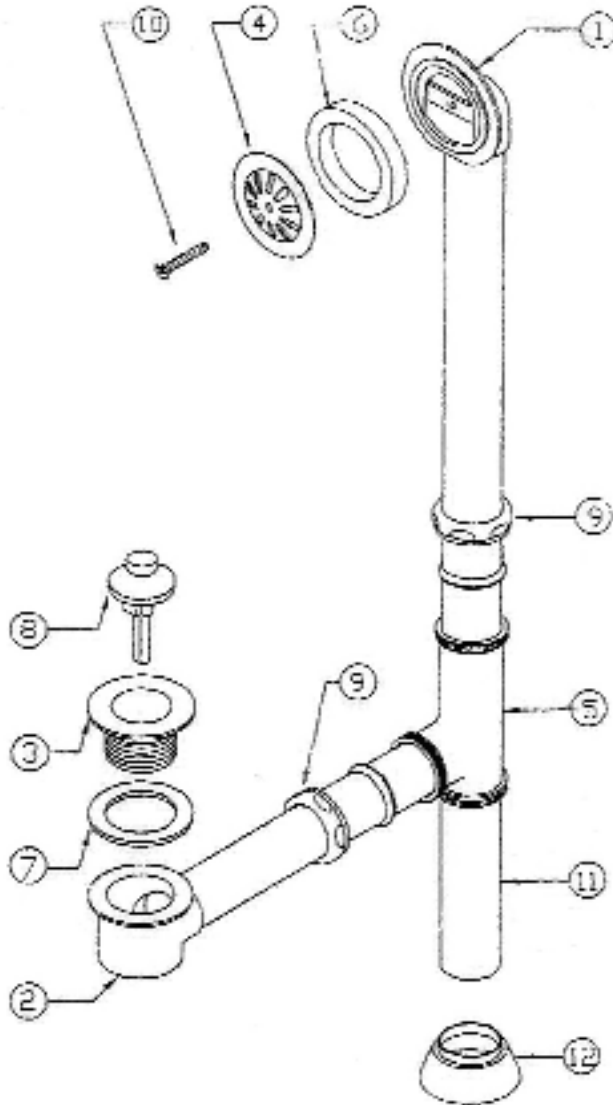
## INSTALLATION INSTRUCTIONS

### Parts Included

- Top Overflow Tube (1) • Bottom Shoe (2) • Top Waste Flange (3) • Face Plate (4) • Exposed Tee (5) •
- Face Sponge Gasket (6) • Waste Gasket (7) • Lift Stop (8) • 2- 1 1/2" Nut and Washers (9) • Face Plate Screw (10) •
- 1 1/2" x 6" Tube (11) • 1 1/2" O.D. Escutcheon (12) •

### Tools Needed

- Wrench • Pliers • Teflon Tape (use as a sealant on all male threaded tubing) • Tube Cutter • Plumbers Putty •



### To Assemble Tubes

1. Assembled #3 and #8 screw into #2. #7 is on top of #2 beneath the tub. Place a bead of plumbers putty around bottom of #3, to seal to tub and protect from leaks. Then tighten #3 into #2.
2. Assemble overflow. (Follow diagram)
3. Set #1 in place.
4. Place Tee (#5) on shoe.
5. Trim bottom of tube #1 to fit into Tee (#5).
6. Trim tube #11 to fit.
7. Tighten the nuts.

### Cleaning Instructions

Wipe this whole set off with warm water and a soft cloth. DO NOT use soaps, cleansers, or brass cleaners as they will disintegrate the protective lacquer coating and leave the brass exposed causing it to tarnish.

**NOTE: Please seek professional help if you have copper plumbing in your home.**